

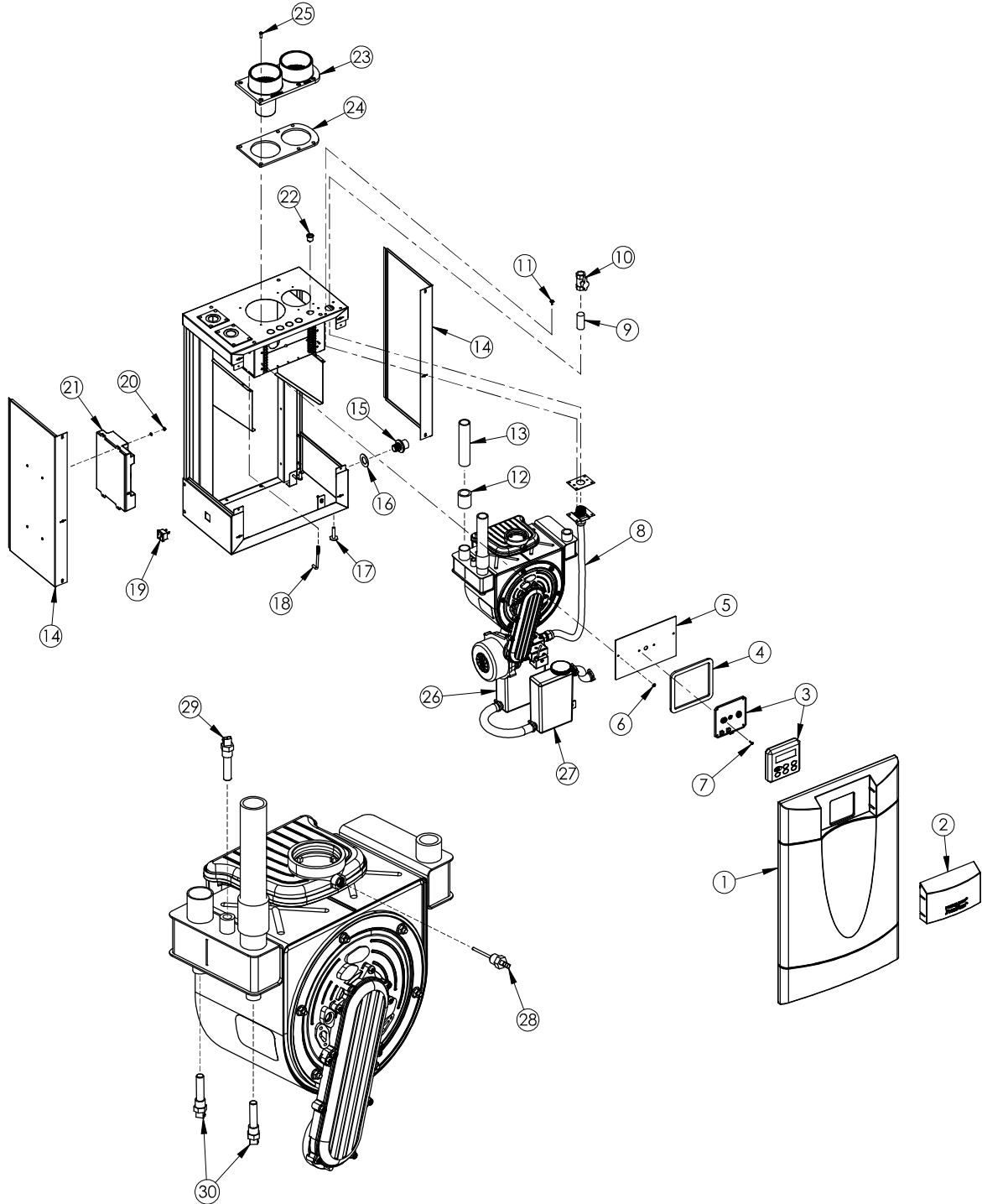


PeerlessBoilers.com

Peerless® PUREFIRE®

PF-50, PF-80, PF-110 & PF-140

All repair parts orders - no minimum charges.
Please order with code number.
All prices quoted are in U.S. dollars.
All prices subject to change without notice.
All prices F.O.B. Bally, PA



PF-50, PF-80, PF-110 & PF-140



PeerlessBoilers.com

Peerless® PUREFIRE®

PF-50, PF-80, PF-110 & PF-140

All repair parts orders - no minimum charges.

Please order with code number.

All prices quoted are in U.S. dollars.

All prices subject to change without notice.

All prices F.O.B. Bally, PA

	Description	Quantity Required	Stock Code
1	Front Door Panel with Ball Studs	1	54168
2	Control Lens	1	54167
3	Display Module, 852RC 4 Wire, PF 50-399, See kit item 21	1	-
4	Display Bracket Gasket	1	54153
5	Bracket for Display Module	1	PF2007-1
6	Hex Nut, #6-32 with Lockwasher, (Local Hdwr Supply)	2	-
7	Screw, #6-32 x 1/2" LG Phillips Head, (Local Hdwr Supply)	2	-
8	Flexible Gas Line – 1/2" (includes gasket and hardware)	1	54203
N/L	Gasket for Gas Line (Obsolete)	-	-
9	Nipple, 1/2 " NPT x Close, (Local Hdwr Supply)	1	-
10	Manual Shut-off Valve, 1/2" NPT, (Local Hdwr Supply)	1	54130
11	Screw, #10 x 1/2" Long Hex. Hd., (Local Hdwr Supply)	2	-
12	Coupling, 1" NPT Brass (Local Hdwr Supply)	2	5534
13	Nipple, 1" NPT x 6" Long Brass, (Local Hdwr Supply)	2	-
14	Jacket Side Panels – PF-50, PF-80	1	54173
	Jacket Side Panels – PF-110, PF-140	1	54192
15	Bulk Head Fitting for Condensate Connection	1	54140
16	Gasket for Bulk Head Fitting	1	54134
17	Leg Leveler	4	5429
18	Hook Bolt	2	5451
19	Convenience Outlet, (Local Hdwr Supply)	1	54136
20	Hex. Nut, #8-32 with Lockwasher, (Local Hdwr Supply)	4	51573
21	Display Module & Control Module Kit, 852MN – PF-50 Revision 1 & 2	1	54709
	Display Module & Control Module Kit, 852MN – PF-80 Revision 1 & 2	1	54710
	Display Module & Control Module Kit, 852MN – PF-110 Revision 1 & 2	1	54711
	Display Module & Control Module Kit, 852MN – PF-140 Revision 1 & 2	1	54712
22	Switch, Round Toggle, 120 VAC, On/Off Switch	1	6050
23	Vent / Air Inlet Adapter, 3"	1	54135
24	Gasket, Vent Adapter, 3"	1	54133
25	Screw, #10 x 5/8" Long Phil. Pan Head Type A Zinc, (Local Hdwr Supply)	6	-
26	Condensate Receiver Kit, w/ hardware & tubing	1	54205
27	Condensate Neutralizer Kit, w/ hardware & tubing	1	54204
28	Flue Sensor, 12kOhm Tasseron TSDZ0B1 (Stack Sensor)	1	54111
29, 30	Kit Supply Sensor/Switch, 12kOhm Tasseron, (units Prior to 10/2010)	1	54299
29	Hi Limit Switch Tasseron TSDS950	1	54419
30	Supply/Return Sensor, 12kOhm Tasseron TSD00BS (Thermistor)	2	54418
N/S	Wiring Harness, Power (Right (10) Terminal Block) 120 Volt	1	PF7002
N/S	Wiring Harness, Control (Left (10) Terminal Block) - Obsolete, use PF7123 & PF7124	-	-
N/S	Wiring Harness Control	1	PF7123
N/S	Wiring Harness, Gas Valve, Flame Sensor, Limit	1	PF7124
N/S	Wiring Harness, Blower	1	PF7005
N/S	Wiring Harness, Ground Wire, Igniter	1	PF7009
N/S	Push-on Terminal Block (for Field Wiring Connections)	2	5450
N/S	30 Lbs. Relief Valve Standard	1	50664
N/S	50 Lbs. Relief Valve Optional,	1	51029
N/S	80 Lbs. Relief Valve Optional, (Local Hdwr Supply)	1	51030
N/S	125 Lbs. Relief Valve Optional, (Local Hdwr Supply)	1	54274
N/S	150 Lbs. Relief Valve Optional, (Local Hdwr Supply)	1	54471
N/S	Harness PF50/140 Split Sensor / Limit Adapter, PF-50 - 140	1	54420
N/S	Harness PF50/140 Split Sensor / Limit Adapter & Temp. Limit Sw. PF-200 - 399	1	54421
N/S	Outdoor Sensor, 12kOhm, Optional Tasseron TSA00B4	1	54112
N/S	DHW Sensor, Optional (PP Partner) 12kOhm Tasseron TSK1 0BH	1	54157
N/S	DHW Sensor, Optional (PT Partner) 12kOhm Tasseron TSK10B7	1	54478
N/S	DHW Sensor, Optional (Amtrol) 12kOhm Tasseron TSK10B7	1	54158
N/S	System Sensor, 12kOhm Tasseron TSA00BC	1	54156



PeerlessBoilers.com

Peerless® PUREFIRE®

PF-50, PF-80, PF-110 & PF-140

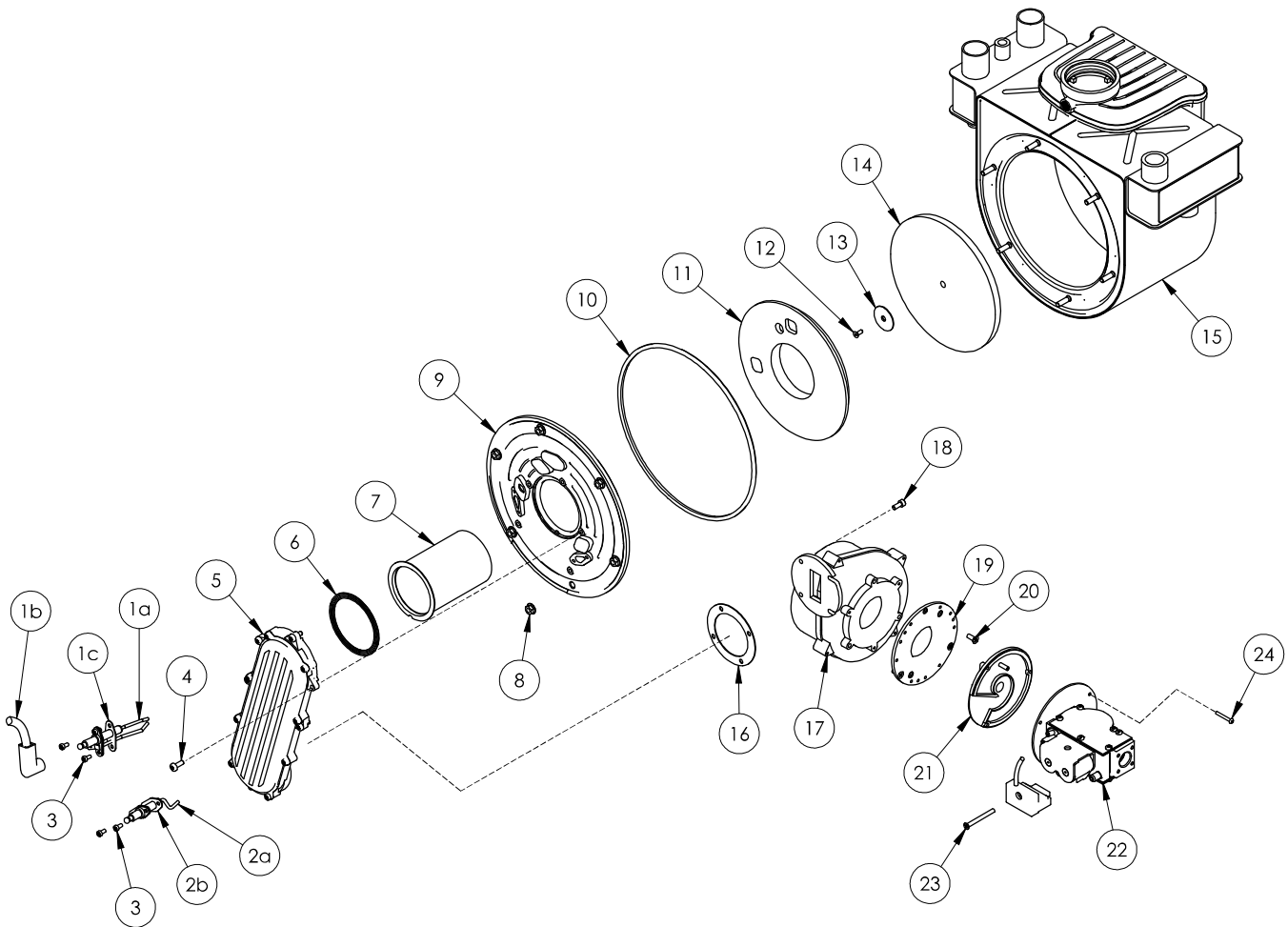
All repair parts orders - no minimum charges.

Please order with code number.

All prices quoted are in U.S. dollars.

All prices subject to change without notice.

All prices F.O.B. Bally, PA



PF-50, PF-80, PF-110 & PF-140



PeerlessBoilers.com

Peerless® PUREFIRE®

PF-50, PF-80, PF-110 & PF-140

All repair parts orders - no minimum charges.

Please order with code number.

All prices quoted are in U.S. dollars.

All prices subject to change without notice.

All prices F.O.B. Bally, PA

	Description	Quantity Required	Stock Code
1	Kit Igniter, Gasket and Cable w/ Hardware, PF50/80/110/140	1	54246
2	Flame Sensor w/ Gasket & Hardware, PF50/80/110/140	1	54247
3	Screw, M4 x 8mm, (Local Hew Supply)	4	-
4	Screw, M5.5 x 14mm, (Local Hew Supply)	5	-
5	Premix Channel, Air Inlet, PF 50, 80, 110, & 140	1	54182
6	Gasket, Chanell to Burner	1	54186
7	Burner – PF50	1	54174
	Burner – PF80	1	54175
	Burner – PF110	1	54176
	Burner – PF140	1	54177
8	Nut, M6, 10MM Hex, (Local Hdwr Supply)	6	-
9	Burner Mounting Plate only w/ Rope Seal	1	6508
9a	Burner Mounting Plate Kit PUREFIRE, Includes 8, 9, and 11	1	54183
10	Gasket, Rubber	1	54187
11	Insulation, Combustion Chamber Cover Plate	1	54255
N/A	Rope Seal, Must order item #9	1	-
12	M4 X 8 MM SS Screw Target Wall, (Local Hdwr Supply)	1	-
13	Washer, M4, (Local Hdwr Supply)	1	-
14	Insulation, Target Wall	1	54185
15	Heat Exchanger – PF-50 (For Credit Reference Only)	1	5410
	Heat Exchanger – PF-80 (For Credit Reference Only)	1	5411
	Heat Exchanger – PF-110 (For Credit Reference Only)	1	5412
	Heat Exchanger – PF-140 (For Credit Reference Only)	1	5413
16	Gasket, Blower to Channel	1	54122
17	Blower - PF-50, PF-80 (Inducer)	1	54189
	Blower – PF-110 (Inducer)	1	54190
	Blower – PF-140 (Inducer)	1	54191
18	M5-0.80 X 12MM Screw, (Local Hardware Supply)	4	-
19	Blower Adapter Plate	1	5421
20	M4 x 10mm Screw, (Local Hew Supply)	3	-
21	Swirl Plate – PF-50, Blue	1	5515
	Swirl Plate – PF-80, Black	1	5514
	Swirl Plate – PF-1 10, White	1	5516
	Swirl Plate – PF-140, Red	1	5517

	Description	Quantity Required	Stock Code
22	Gas Valve – PF-50, w/ Mtg. Flange, Swirl Plate & Screws	1	54178
	Gas Valve – PF-80, w/ Mtg. Flange, Swirl Plate & Screws	1	54179
	Gas Valve – PF-1 10, w/ Mtg. Flange, Swirl Plate & Screws	1	54180
	Gas Valve – PF-140, w/ Mtg. Flange, Swirl Plate & Screws	1	54181
23	Rectifier Cap Screw, M4 x 30mm, (Local Hew Supply)	1	-
24	Screw, M4 x 20mm, PF50/80/110 (Local Hew Supply)	4	-
	Screw, M4 x 25mm, PF140 (Local Hew Supply)	4	-
Vent Termination Kits			
N/S	3" Vent Per Stainless Steel Screen	1	54196
N/S	PVC 3" P400-030 Tee	1	54151
N/S	PVC 3" P100-030 Coupling	1	54152
Poly-Propylene Venting			
N/S	80/125mm White Concentric Sidewall Vent kit – Includes Concentric Vent Termination, Outer Wall Bracket, Inner Wall Bracket with Securing Tab and Screws	-	54396
N/S	100/150mm White Concentric Sidewall Vent kit – Includes Concentric Vent Termination, Outer Wall Bracket, Inner Wall Bracket with Securing Tab and Screws	-	54499
N/S	3", 80/125mm White, Black Concentric Vertical Termination	-	54500
N/S	4", 100/150mm White, Black Concentric Vertical Termination	-	54501
N/S	3", 80/1 00 White Concentric 90 Degree Elbow with Locking Band	-	54085
N/S	4", 100/150 White Concentric 90 Degree Elbow with Locking Band	-	54435
Miscellaneous			
N/S	Large Clamp Hose	3	54276
N/S	Small Clamp Hose	3	54139
N/S	Condensate Neutralizer	1	54121
N/S	Control Board Fuse 5 X 20MM 3.15 AMP 250V	1	5650
N/S	Convenience Outlet, (Local Hdwr Supply)	1	54136
N/S	Switch Condensate Float w/ Cap Switch	1	54137
N/S	Condensate Collector	1	54120
N/S	Wall Mounting Kit, (inch PF-50 PF-140)	1	5636
N/S	Conversion Kit (Nat. to LP/LP to Nat.), Contained in Boiler Envelope Assembly	1	54194
N/S	Condensate Neutralizer 1 lb Bag	1	54159